



The NTP *ULTRA 2*® Equipment Protection Plan Gives You Peace Of Mind.

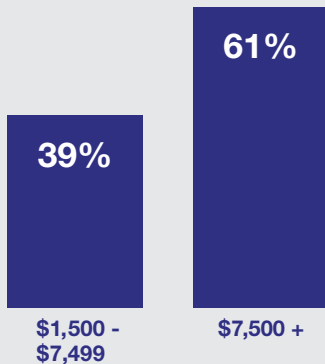
Make A Smart Business Decision

- The NTP *ULTRA 2* program gives you NO LIMITS on engine and trans & rear repairs, and no labor rate cap. See *Covered Components Summary*.
- NTP's comprehensive coverage pays for unplanned catastrophic failures, protecting your business and your livelihood.
- Like accident and medical insurance you buy, having NTP coverage gives you peace of mind that you won't have to deplete your bank account to pay for expensive repairs.

You Can Trust NTP

- NTP has protected single truck and small fleet owner operators longer than anyone, since 1983.
- NTP has 6,100+ certified repair center partners in the US and Canada.
- NTP manages all claims and pay repairs quickly. No outside administrator.
- It's simple. If your failure is covered by the plan you purchased, we'll pay for the repair.

Claims Paid Over Full Contract Term



- 61% of claims paid were over \$7,500.
- Total claims paid for top 1,000 contracts averaged \$46,580.

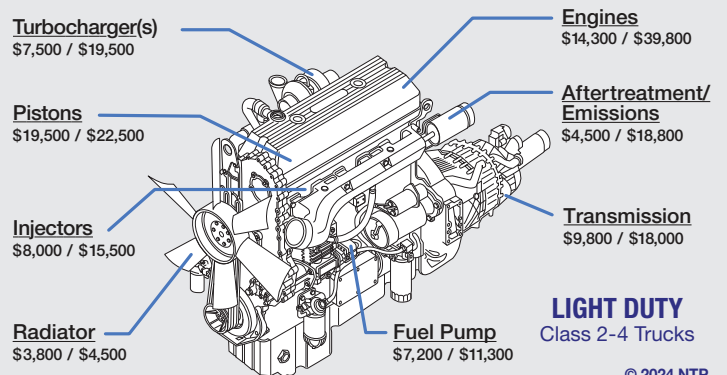
Costs are actual total repairs paid by NTP on contracts reaching full term 2019-2023.

© 2024 NTP
Costs are in Canadian dollars.

Costs of Major Equipment Repairs

CLAIMS PAID EXAMPLE (Engine):
 \$14,300 / \$39,800
Average Claim Paid For All Repairs On That Component / Average Claim Paid For Top 20 Repairs On That Component

A component repair cost will vary based on the repair needed.



LIGHT DUTY
Class 2-4 Trucks

Source: Data is all claims paid by NTP in 2023.

© 2024 NTP
Costs are in Canadian dollars.



THE BEST VALUE AND THE MOST COMPREHENSIVE COVERAGE.

- NO LIMITS on Engine, and Trans and Rear Repairs
- NO Labor Rate Cap
- Includes Rapid Repair Guarantee Plus[®]
- Includes Towing Allowance

[See vehicle service contract for coverage and program details]

★ **BEST VALUE:** Engine, (including turbos, fuel injectors, fuel pump, water pump, ECM), Aftertreatment and Trans & Rears.

12 Months / 80K km

Engine, Aftertreatment, Transmission & Rear Differential ★ **BEST VALUE**

Engine, Transmission & Rear Differentials

24 Months / 160K km

Engine, Aftertreatment, Transmission & Rear Differential ★ **BEST VALUE**

Engine, Transmission & Rear Differentials

36 Months / 240K km

Engine, Aftertreatment, Transmission & Rear Differential ★ **BEST VALUE**

Engine, Transmission & Rear Differentials

Kilometer Surcharge >404,000 km

CLASS 2-4 Pricing

For pricing and details,
PLEASE CALL US
1-888-457-5755

Additional Coverage Options (must match contract term) CALL FOR PRICING

| | | | | | | | | |
|------------|-----------------------------|-----------|-----------|-----------|-------------------------------------|--|-----------|-----------|
| NEW | Electronix Package™ | 12 Months | 24 Months | 36 Months | Comfort Package® | 12 Months | 24 Months | 36 Months |
| | Rental Truck Program | (7 Days) | (14 Days) | | Rapid Repair Guarantee Plus® | INCLUDED IN 12-, 24-, AND 36-MONTH PLANS | | |



COVERED COMPONENTS SUMMARY

LOL = Limits of Liability

Coverage Exclusions: Please refer to your vehicle service contract for complete list and details of covered and non-covered items.

Aftertreatment Coverage: One occurrence per component, per contract period.

Engine (NO LIMITS*)

- Camshaft and Cam Bearings
- Cam Followers
- Connecting Rods
- Connecting Rod Bearings
- Connecting Rod Caps and Screws
- Crankshaft
- Cylinder Block Casting
- Cylinder Head and Head Gasket
- Cylinder Liners
- Cylinder Head Bolts
- Hydraulic Lifters
- Injector Cups
- Intake and Exhaust Valves
- Intake and Exhaust Valve Guides
- Main Bearings
- Oil Cooler and Housing
- Oil Pan
- Oil Pump Pick Up Screen and Tube
- Oil Pump Pressure Relief Springs and Valves
- Pistons, Piston Rings and Piston Oil Cooling Jets
- Pushrods
- Rocker Arms and Rocker Arm Shafts
- Thrust Washers
- Timing Gears
- Timing Gear Cover and Housing
- Valve Cover
- Valve Retainers and Keepers (Locks)
- Valve Seats and Valve Springs
- Wrist Pins

"Non-oil" related components:

- Exhaust Manifold
- Flywheel Housing
- Intake Manifold
- Thermostat Housing
- Vibration Dampener

Progressive Damage, Wearout & Carbon Packing

Please refer to your contract for details on Progressive Damage, Wearout and Carbon Packing coverage.

Engine Fuel Injectors, Water Pump, Fuel Pump & ECM (NO LIMITS*)

- Complete Injector
- Fuel Injector Hard Lines
- Fuel Injection Pump
- Fuel Pump
- Engine Control Module (ECM)
- Water Pump

Turbo(s) (NO LIMITS*)

- Bearings
- Internal Variable Vane Assembly
- Turbine and Turbine Shaft
- Turbo Actuator

Transmission (NO LIMITS*)

- Bands
- Bearings
- Blockers
- Bushings
- Drums
- Gear Sets
- Governor
- Oil Pump
- Shaft(s)
- Shift Forks
- Synchronizers
- Thrust Washers
- Torque Converter
- Valve Body

Differential (NO LIMITS*)

- Axle Housing
- Axle Shafts
- Bearings
- Bushings
- Carrier Case
- Gear Sets
- Limited Slip Clutch Pack
- Power divider includes:**
- Bearings
- Gears
- Shafts
- Shift Forks

Aftertreatment

(LOL: 12 and 24 mo. \$10,500; 36 mo. \$15,900)

- Aftertreatment Electronic Control Module (ACM)
- Back Pressure Control Valve (BPV)
- Diesel Exhaust Fluid (DEF) Module with Injection Nozzle
- DEF Heater Control Relay
- DEF Dosing Module - Wiring Harness
- DEF Heated Lines (3)
- DEF Heater Coolant Control Valve
- DEF Heating Elements
- DEF Heating Fittings (3 on Supply Module)
- DEF Pump and Module
- DEF Solution Level/Temperature Sensor
- DEF Tank
- Diesel Oxidation Catalyst (DOC)
- Diesel Particulate Filter (DPF)
- DPF Air, Fuel, and Coolant Lines
- DPF Air, Fuel, Manifold Assembly
- DPF Dosing Module
- Exhaust Gas Recirculation (EGR) Valves
- EGR Actuator
- EGR Connecting Bellows and Clamps
- EGR Cooler(s)
- Exhaust Piping, Clamps, and Gaskets
- Exhaust Throttle Valve
- Hydrocarbon Doser Injector (HC Doser, 7th Injector, ARD, AHI Module)
- Hydrocarbon Doser Valve - Air, Fuel, and Coolant Lines; and Inline Air Filter
- Hydrocarbon Doser Valve (Voss Valve)
- Selective Catalytic Reduction (SCR) Catalyst
- SCR Decomposition Pipe and Pipe Elbows
- Sensor, BPV Pressure
- Sensor, Delta P (DPF Pressure)
- Sensor, DOC Inlet Pressure
- Sensor, DOC (Post) Temperature
- Sensor, DOC (Pre) Temperature
- Sensor, DPF Air Supply Pressure
- Sensor, DPF Back Pressure
- Sensor, DPF Fuel Pressure
- Sensor, Lambda (O₂ Sensor)
- Sensor, NOx (2)
- Sensor, Pressure After Exhaust Throttle Valve
- Sensor, SCR (Post) Temperature
- Sensor, SCR (Pre) Temperature
- Wiring Harness - Emission Systems (including overlay)

Rapid Repair Guarantee Plus® (INCLUDED)

This program guarantees that once the claim approval is complete, our National Repair Network will have you on the road within 14 days, or we will pay you, or the lienholder, half of your monthly truck payment, up to \$1,000. If repairs require more than 30 days from the time the claim is approved, we will pay you, or the lienholder, your total monthly truck payment, up to \$2,000.

Comfort Package® (OPTIONAL) (LOL \$8,000)

- Alternator
- Charge Air Cooler
- Engine Air Compressor
- Fan Clutch
- Fuel Tanks, Cap, & Valve
- HVAC Air Compressor & Pulley
- HVAC Blower Motor & Resistor
- HVAC Fan Hub
- HVAC Heater Core
- HVAC Temperature Controls, Control Head, & Control Valves
- Radiator & Radiator Cap
- Starter & Starter Solenoid

Electronix Package™ (OPTIONAL) (LOL \$8,000)

Coverage is limited to the following OEM installed components only:

- Adaptive braking and cruise control (same camera and front facing radar as lane departure warning system)
- Antenna
- Anti Roll Sensor
- BCA (Battery Cable Access)
- Chassis ECMs (OE installed VECM/VECU)
- Collision Avoidance System
- Driver Assistance System Control Units
- Lane Assist Systems (Camera and Sensors)
- Lane Departure Warning System Camera
- Lane Departure Warning System Sensors (Front Radar)
- Light Control Module (LCM)
- Navigation System Head Unit
- Power Distribution Module (Including primary fuse panel)
- Power Door Locks
- Power Windows and Mirror Controls and Motors
- Primary Driver Guage Cluster (LED or Analog)
- Radio
- Single SAM
- Turn Signal and Wiper Control Mechanism
- Windshield Wiper Motors

Rental Truck Assistance (OPTIONAL)

This program provides reimbursement for a rental truck while your truck is being repaired for a covered claim. We offer 7-day and 14-day programs and your rental days can be used as needed during your contract term. Rentals must be arranged with an authorized rental truck facility. Maximum reimbursement rates are specified in your contract. Please contact an NTP Co. claims administrator prior to renting for other details. The driver renting the truck is responsible for showing proof of insurance, paying for fuel, mileage charges, and applicable vehicle damage that occurs during the rental period. They may also be asked for a security deposit and proof of having their CDL for 2+ years.

Terms & Deductibles

Deductible: \$500 per occurrence

- Eligible trucks: 8 years and newer and less than 563,270 km.
- Total aftertreatment repair cap is \$10,000 for the term of the contract on 12 and 24 months plans and \$15,000 on 36 months plans.
- Aftertreatment coverage is one occurrence per component, per contract period.

Towing Benefit

- Three \$350 towing allowance per term

Underwriting

- NTP inspection process required